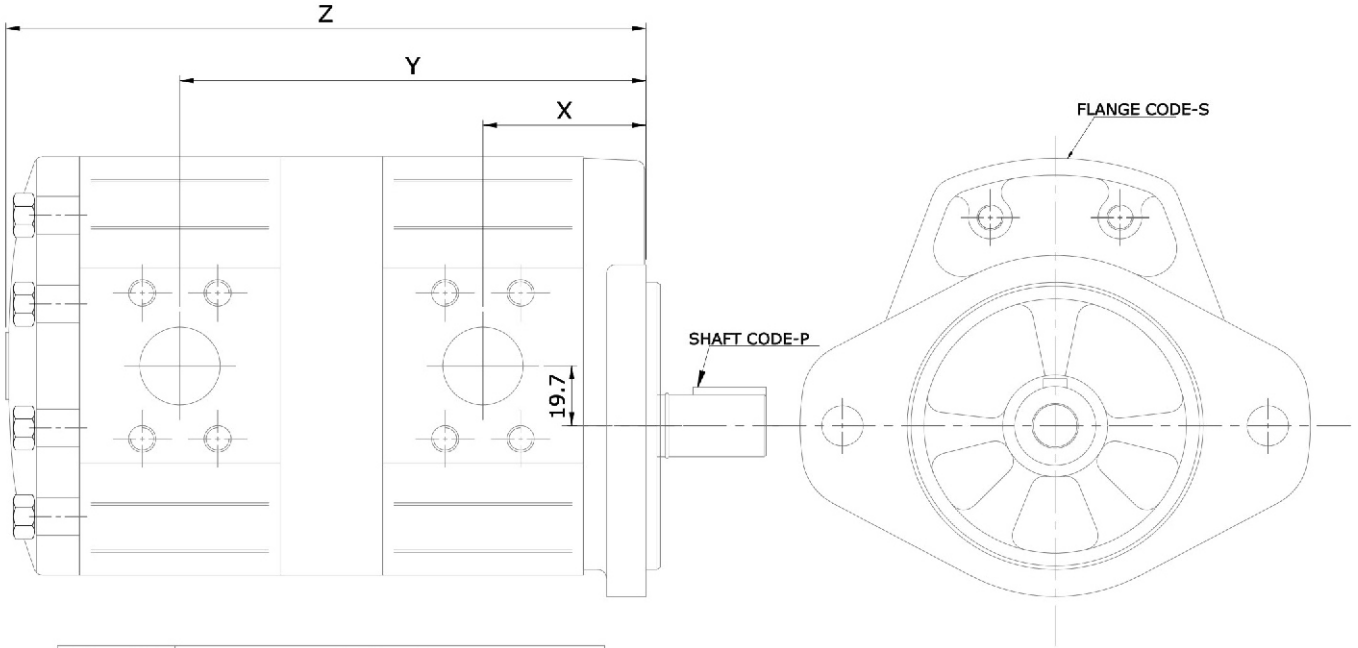




TANDEM 2P-2P

INSTALLATION DIMENSIONS



PUMP TYPE. 2P-2P	DIMENSIONS		
	DIM-X	DIM-Y	DIM-Z
5158-5158	74.3	212.8	291.2
-5146	"	211.2	288.0
-5120	"	208.2	282.0
-5105	"	206.3	278.3
-5090	"	197.6	261.0
-5070	"	195.1	256.0
-5050	"	192.7	251.0
5146-5146	72.8	208.2	285.0
-5120	"	205.1	279.0
-5105	"	203.3	275.3
-5090	"	194.5	257.7
-5070	"	192.1	252.9
-5050	"	189.7	248.1
5120-5120	69.7	199.0	272.8
-5105	"	197.2	269.2
-5090	"	188.4	251.2
-5070	"	186.0	246.8
-5050	"	183.6	241.9
5105-5105	67.9	193.5	265.5
-5090	"	184.7	248.0
-5070	"	182.3	243.1
-5050	"	179.9	238.3
5090-5090	59.1	167.2	230.4
-5070	"	164.8	225.6
-5050	"	162.4	220.8
5070-5070	56.7	160.0	220.8
-5050	"	157.5	216.0
5050-5050	54.3	152.7	211.1

ALL DIMENSIONS ARE IN MM UNLESS SPECIFIED