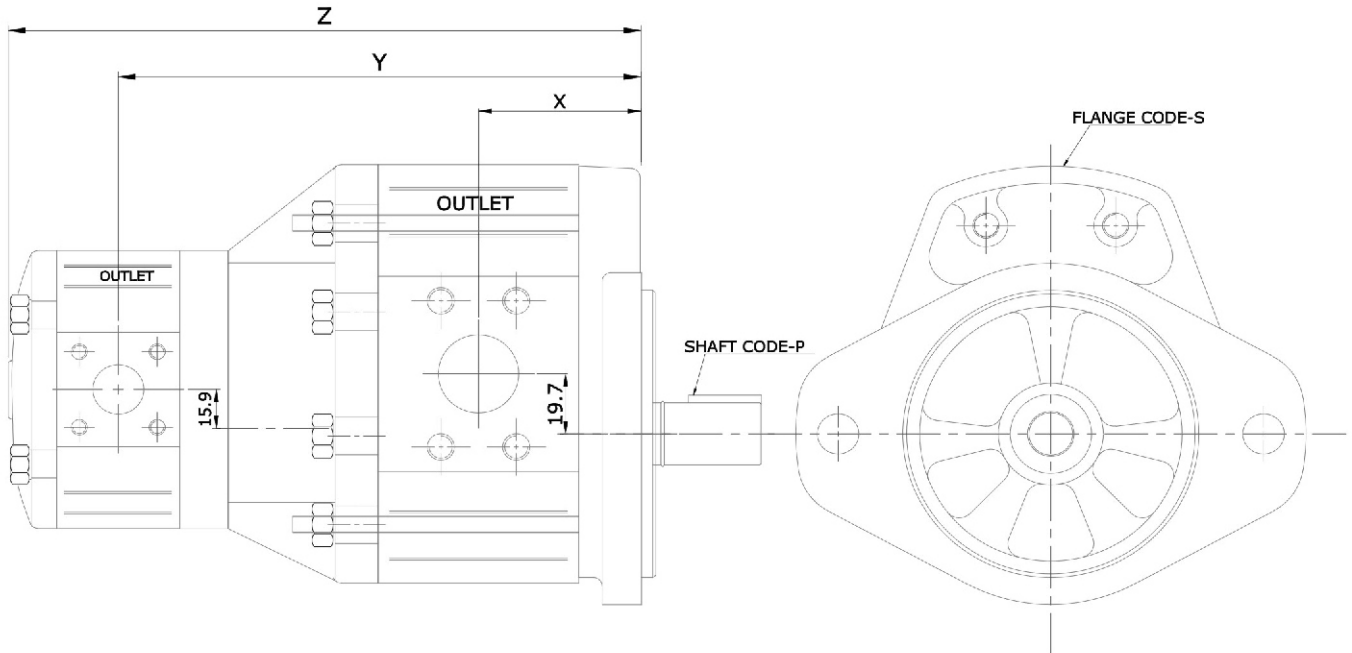


TANDEM 2P-1P INSTALLATION DIMENSION



| PUMP TYPE. 2P-1P | DIMENSIONS | | |
|---------------------|------------|-------|-------|
| | DIM-X | DIM-Y | DIM-Z |
| 5220-5090 | 81.7 | 241.6 | 305.9 |
| -5072 | " | 238.3 | 299.3 |
| -5060 | " | 236.0 | 294.7 |
| -5052 | " | 234.5 | 291.7 |
| -5044 | " | 232.9 | 288.5 |
| -5036 | " | 223.9 | 270.5 |
| -5028 | " | 222.4 | 267.5 |
| -5020 | " | 220.8 | 264.3 |
| -5017 | " | 220.1 | 262.9 |
| 5158-5090 | 74.3 | 226.7 | 291.0 |
| -5072 | " | 223.4 | 284.4 |
| -5060 | " | 221.1 | 279.8 |
| -5052 | " | 219.6 | 276.8 |
| -5044 | " | 218.0 | 273.6 |
| -5036 | " | 209.0 | 255.6 |
| -5028 | " | 207.5 | 252.6 |
| -5020 | " | 205.9 | 249.4 |
| -5017 | " | 205.2 | 248.0 |
| 5146-5090 | 72.8 | 223.7 | 288.0 |
| -5072 | " | 220.4 | 281.4 |
| -5060 | " | 218.1 | 276.8 |
| -5052 | " | 216.6 | 273.8 |
| -5044 | " | 216.0 | 270.6 |
| -5036 | " | 206.0 | 252.6 |
| -5028 | " | 204.5 | 249.6 |
| -5020 | " | 202.9 | 246.4 |
| -5017 | " | 202.2 | 245.0 |
| 5120-5090 | 69.7 | 217.6 | 281.9 |
| -5072 | " | 214.3 | 275.3 |
| -5060 | " | 212.0 | 270.7 |
| -5052 | " | 210.5 | 267.7 |
| -5044 | " | 208.9 | 264.5 |
| -5036 | " | 199.9 | 246.5 |
| -5028 | " | 198.4 | 243.5 |
| -5020 | " | 196.8 | 240.3 |
| -5017 | " | 196.1 | 238.9 |

| PUMP TYPE. 2P-1P | DIMENSIONS | | |
|---------------------|------------|-------|-------|
| | DIM-X | DIM-Y | DIM-Z |
| 5105-5090 | 67.9 | 213.8 | 278.1 |
| -5072 | " | 210.5 | 271.6 |
| -5060 | " | 208.2 | 266.9 |
| -5052 | " | 206.7 | 263.9 |
| -5044 | " | 205.1 | 260.7 |
| -5036 | " | 196.1 | 242.7 |
| -5028 | " | 194.6 | 239.7 |
| -5020 | " | 193.0 | 236.5 |
| -5017 | " | 192.3 | 235.1 |
| 5090-5090 | 59.1 | 196.4 | 260.7 |
| -5072 | " | 193.1 | 254.1 |
| -5060 | " | 190.8 | 249.5 |
| -5052 | " | 189.3 | 246.6 |
| -5044 | " | 187.7 | 243.3 |
| -5036 | " | 178.7 | 225.3 |
| -5028 | " | 177.2 | 222.3 |
| -5020 | " | 175.6 | 219.1 |
| -5017 | " | 174.9 | 217.7 |
| 5070-5060 | 56.6 | 185.9 | 244.6 |
| -5052 | " | 184.4 | 241.6 |
| -5044 | " | 182.8 | 238.4 |
| -5036 | " | 173.8 | 220.4 |
| -5028 | " | 172.3 | 217.4 |
| -5020 | " | 170.7 | 214.2 |
| -5017 | " | 170.0 | 212.8 |
| 5050-5044 | 54.3 | 178.0 | 233.6 |
| -5036 | " | 169.0 | 215.6 |
| -5028 | " | 167.5 | 212.6 |
| -5020 | " | 165.9 | 209.4 |
| -5017 | " | 165.2 | 208.0 |

ALL DIMENSIONS ARE IN MM UNLESS SPECIFIED