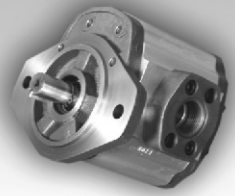




Gear Pumps & Valves

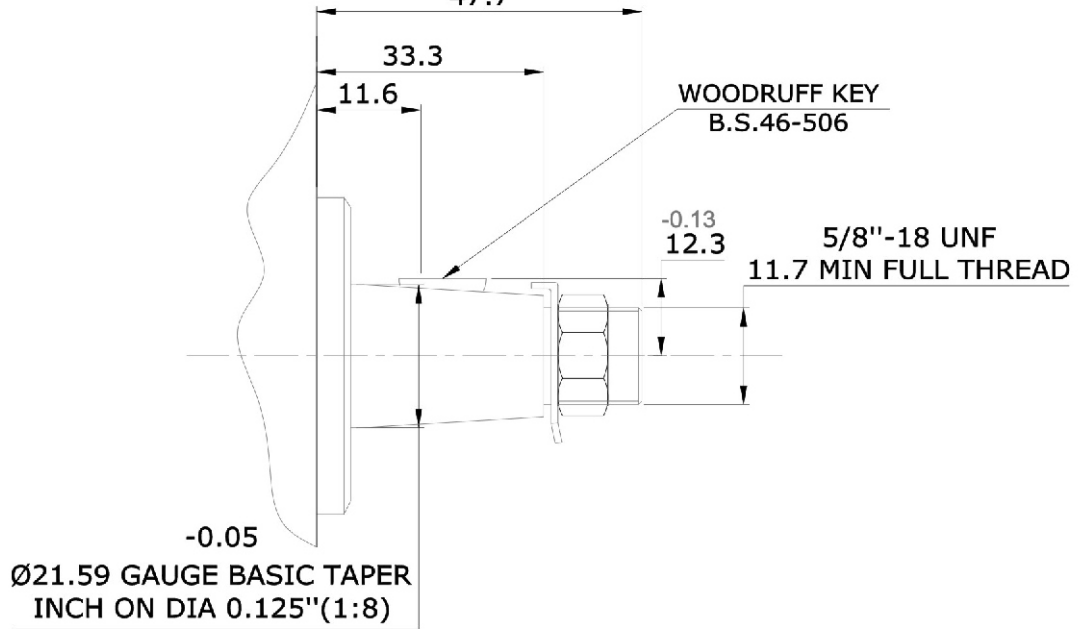


2P SERIES

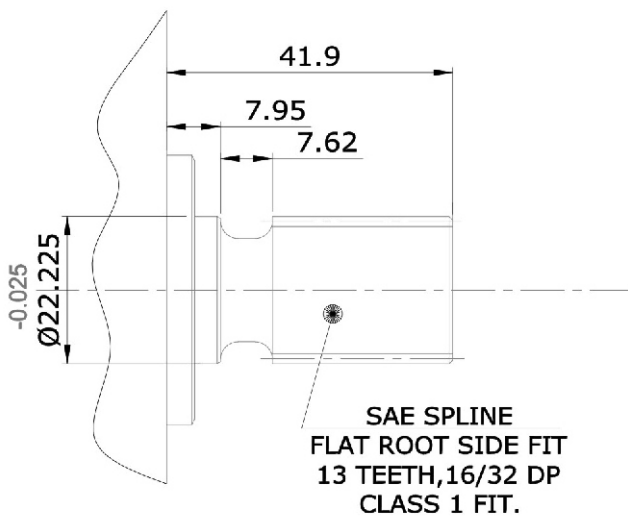
DRIVE SHAFT

CODE - T

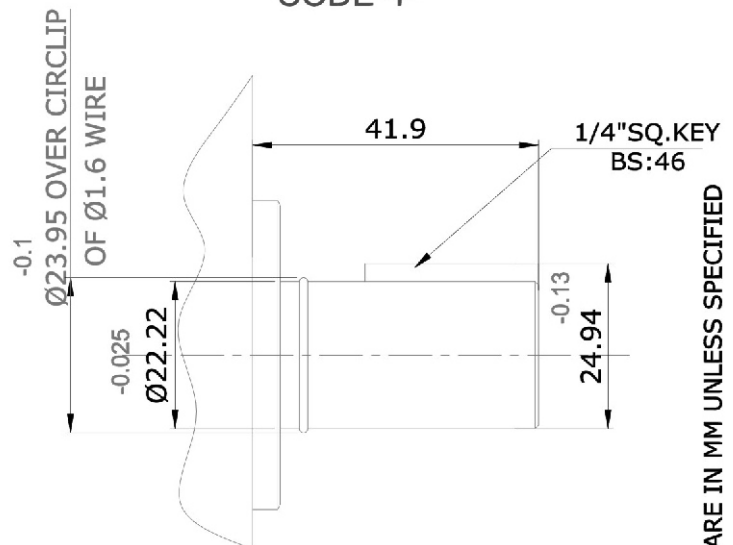
47.7



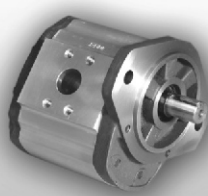
CODE -S



CODE -P



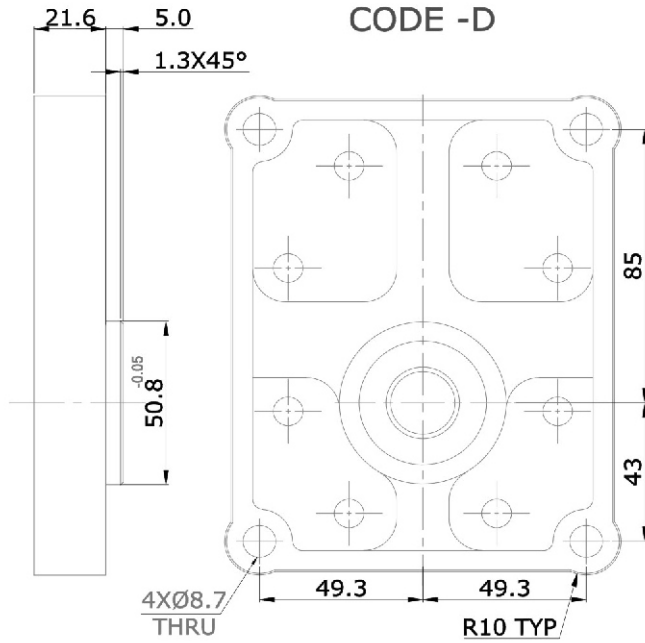
ALL DIMENSIONS ARE IN MM UNLESS SPECIFIED



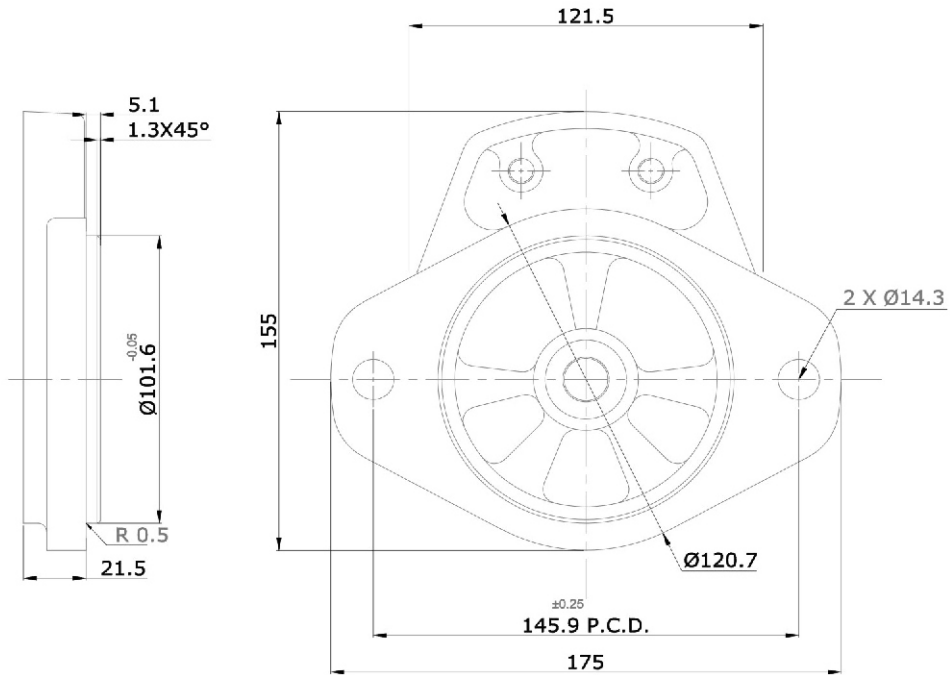
Gear Pumps & Valves

2P SERIES

MOUNTING FLANGE



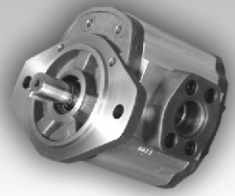
CODE -S



ALL DIMENSIONS ARE IN MM UNLESS SPECIFIED



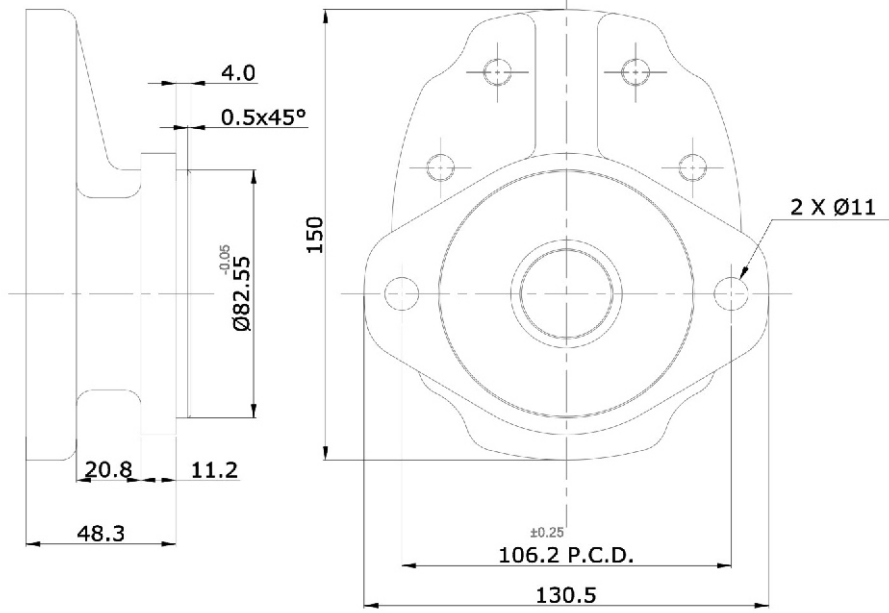
Gear Pumps & Valves



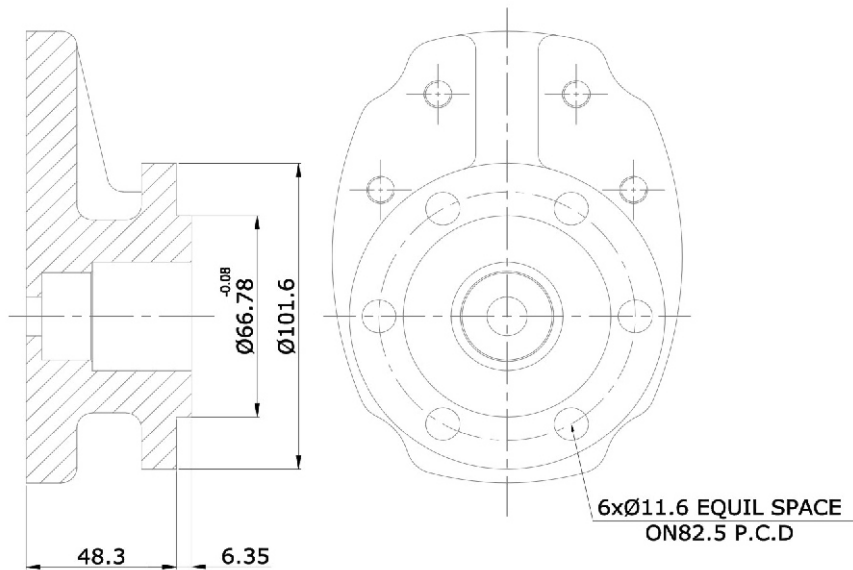
2P SERIES

MOUNTING FLANGE

CODE-X



CODE-H



ALL DIMENSIONS ARE IN MM UNLESS SPECIFIED

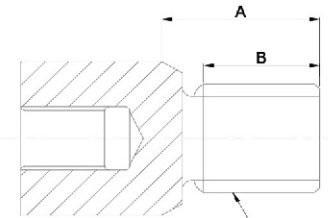
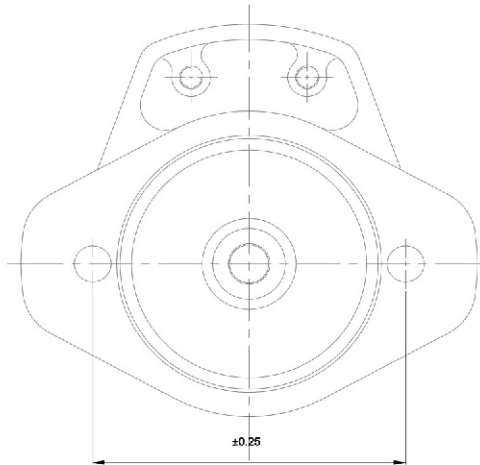
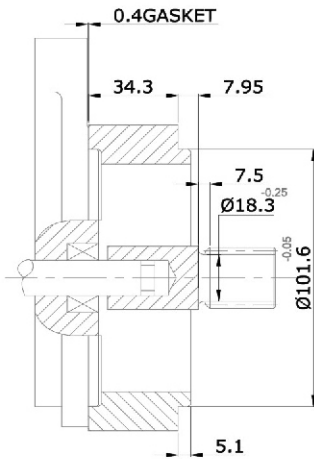


Gear Pumps & Valves

2P SERIES

DRIVE SHAFT

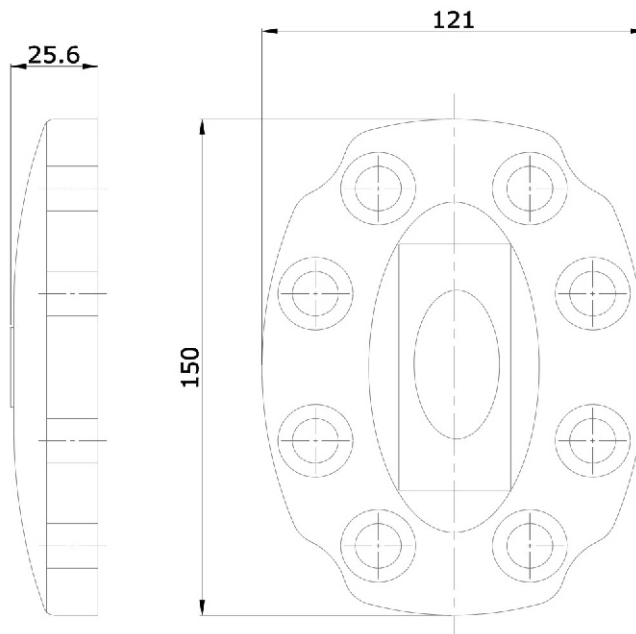
CODE-Q, QUILL ADAPTER



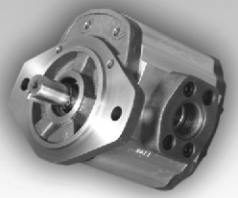
SAE SPLINE
FLAT ROOT SIDE FIT
13 TEETH, 16/32 DP
CLASS 1 FIT.

QUILL CODE	MAX. STANDOUT	SPLINE LENGTH
K2	30.5	12.2
K3	41.5	25.4

END COVER

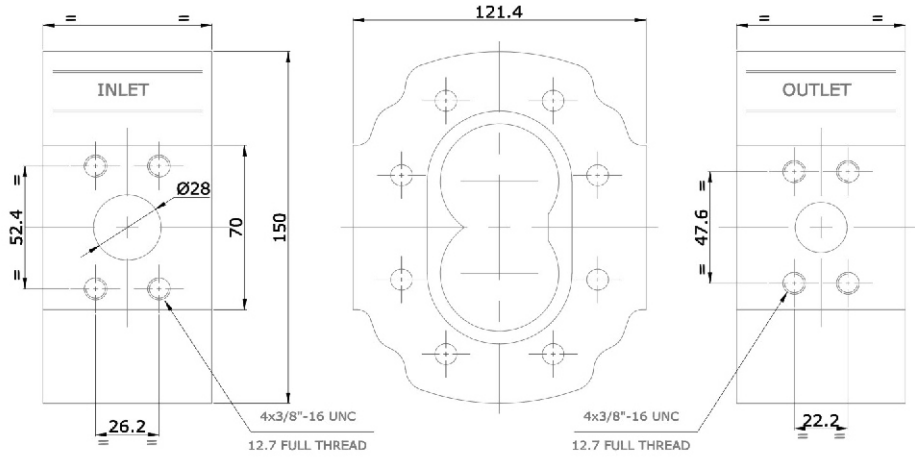


ALL DIMENSIONS ARE IN MM UNLESS SPECIFIED

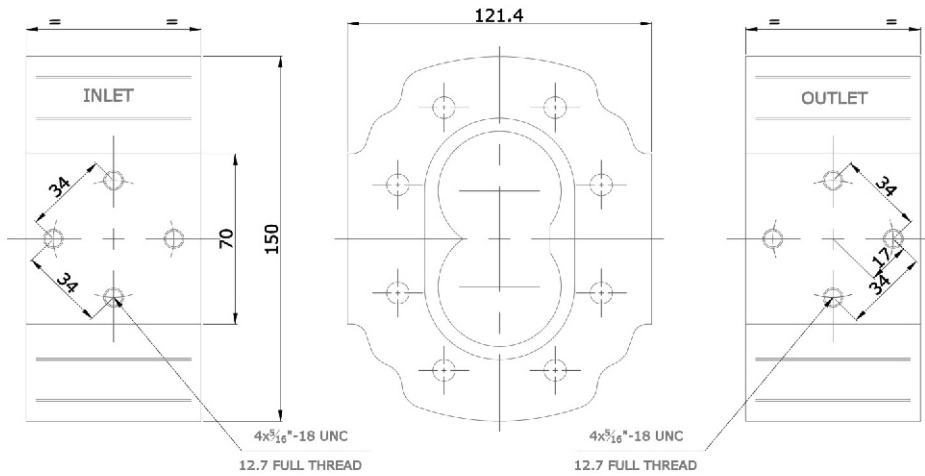


2P SERIES

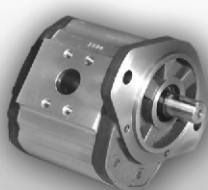
BODY PORT CODE-S



CODE-F

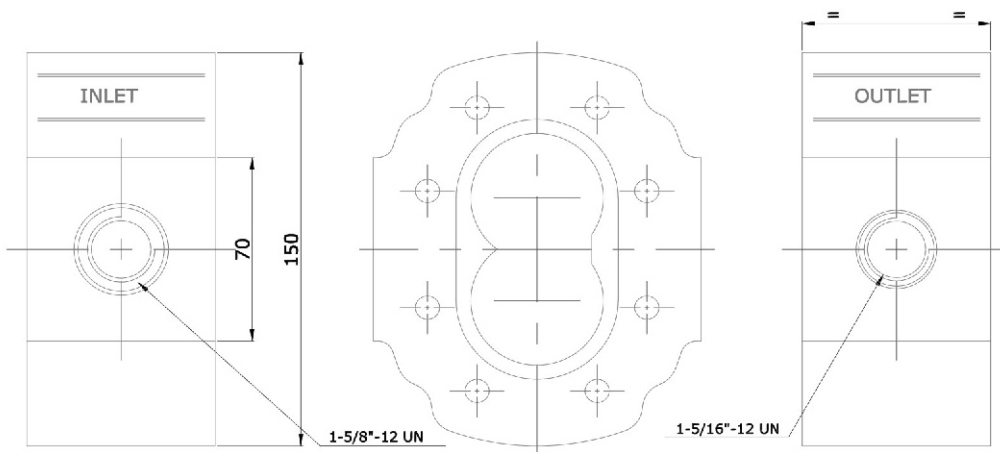


ALL DIMENSIONS ARE IN MM UNLESS SPECIFIED

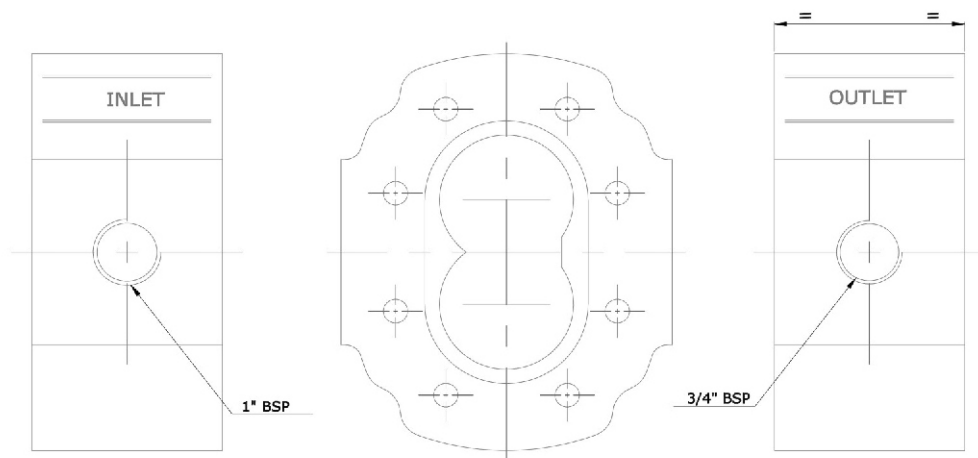


2P SERIES

BODY PORT CODE-J



CODE-T



ALL DIMENSIONS ARE IN MM UNLESS SPECIFIED



GROUP 3P- P3000 SERIES

PERFORMANCE DATA

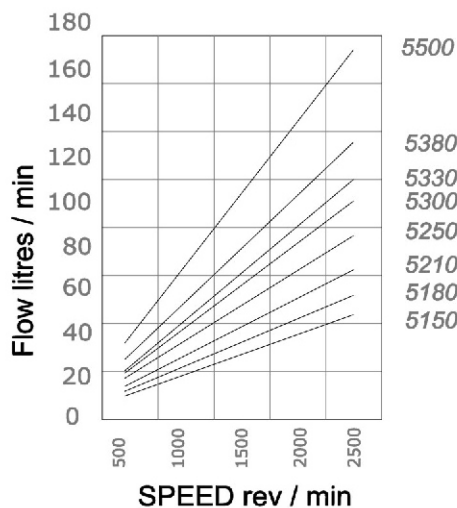
Pressure quoted are relief valve maximum by- pass performance with SAE 20 W oil at 50° C

PUMP TYPE	Nominal Displacement cc/rev	Nominal Delivery @ 1500 rpm & Pressure P lpm	Maximum Continues Pressure P		Speed at Maximim Continues Pressure P	
			psi	bar	Max	Min
5150	45.33	68.00	3000	207	2500	550
5180	54.33	81.50	3000	207	2500	600
5210	63.67	95.50	3000	207	2500	700
5250	75.67	113.50	3000	207	2500	700
5300	90.67	136.00	2525	174	2500	700
5330	100.00	150.00	2300	159	2500	700
5380	115.53	173.00	2000	138	2500	700
5500	151.33	227.00	1500	100	2500	700

TYPICAL PERFORMANCE

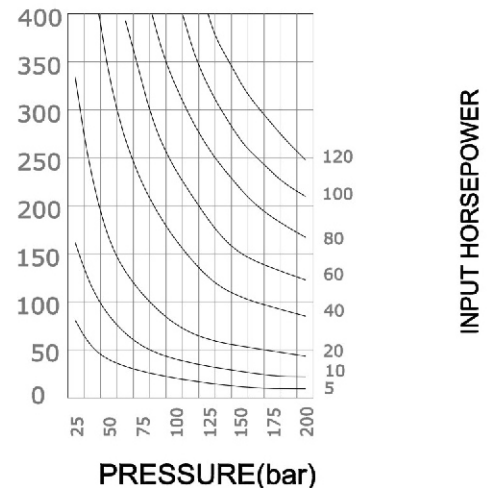
TYPICAL PUMP DELIVERY

Flow at Max. Pressure.



TYPICAL INPUT HORSEPOWER

Fluide SAE 20 W
Fluide Temperature 50° C

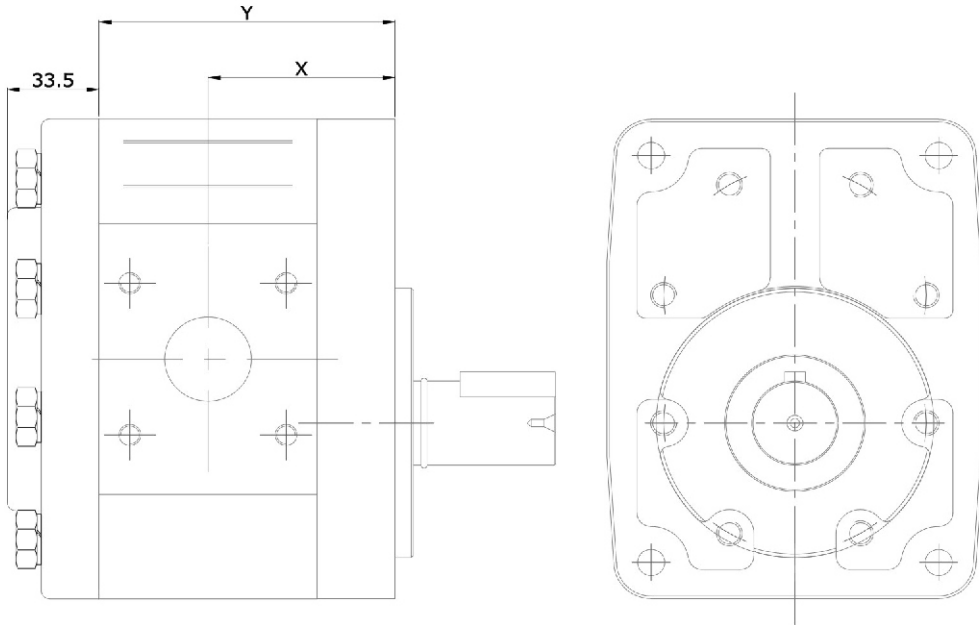




Gear Pumps & Valves

3P SERIES

INSTALLATION DIMENSION



<i>3P-5500</i>	<i>98.9</i>	<i>202.8</i>
<i>3P-5380</i>	<i>88.6</i>	<i>182.3</i>
<i>3P-5330</i>	<i>84.6</i>	<i>174.3</i>
<i>3P-5300</i>	<i>82.1</i>	<i>169.1</i>
<i>3P-5250</i>	<i>78.1</i>	<i>161.2</i>
<i>3P-5210</i>	<i>74.9</i>	<i>154.8</i>
<i>3P-5180</i>	<i>72.5</i>	<i>150.2</i>
<i>3P-5150</i>	<i>70.1</i>	<i>145.2</i>
<i>PUMP TYPE.</i>	<i>DIM-X</i>	<i>DIM-Y</i>

ALL DIMENSIONS ARE IN MM UNLESS SPECIFIED