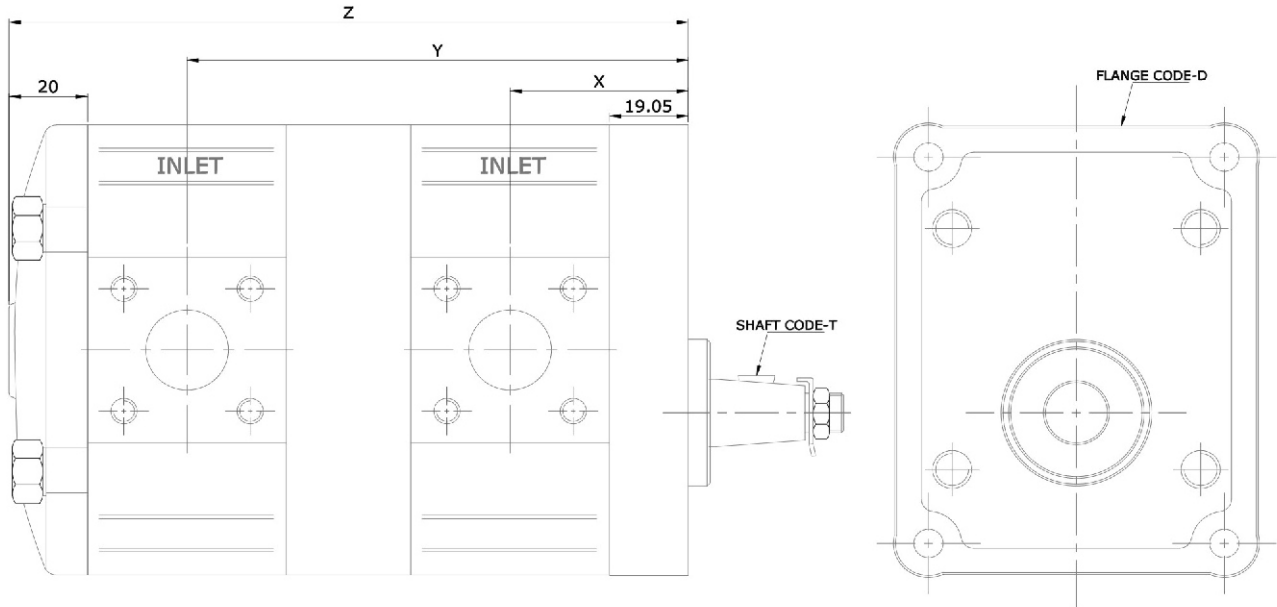


TANDEM 1P-1P INSTALLATION DIMENSION



| PUMP TYPE. 1P-1P | DIMENSIONS | | |
|---------------------|------------|-------|-------|
| | DIM-X | DIM-Y | DIM-Z |
| 5090-5090 | 63.4 | 182.1 | 246.4 |
| -5072 | " | 178.5 | 239.7 |
| -5060 | " | 176.4 | 235.1 |
| -5052 | " | 174.9 | 232.0 |
| -5044 | " | 173.4 | 229.0 |
| -5036 | " | 164.3 | 211.0 |
| -5028 | " | 162.8 | 207.9 |
| -5020 | " | 161.3 | 204.8 |
| -5017 | " | 160.5 | 203.2 |
| 5072-5072 | 60.1 | 172.1 | 233.0 |
| -5060 | " | 169.8 | 228.5 |
| -5052 | " | 168.2 | 225.4 |
| -5044 | " | 166.7 | 222.3 |
| -5036 | " | 157.7 | 204.3 |
| -5028 | " | 156.1 | 201.2 |
| -5020 | " | 154.6 | 198.1 |
| -5017 | " | 153.8 | 196.6 |
| 5060-5060 | 57.8 | 165.2 | 224.0 |
| -5052 | " | 163.6 | 221.0 |
| -5044 | " | 162.1 | 218.0 |
| -5036 | " | 153.1 | 200.0 |
| -5028 | " | 151.5 | 197.0 |
| -5020 | " | 150.0 | 193.5 |
| -5017 | " | 149.2 | 192.0 |

| PUMP TYPE. 1P-1P | DIMENSIONS | | |
|---------------------|------------|-------|-------|
| | DIM-X | DIM-Y | DIM-Z |
| 5052-5052 | 56.2 | 160.6 | 218.0 |
| -5044 | " | 159.0 | 215.0 |
| -5036 | " | 150.0 | 197.0 |
| -5028 | " | 148.5 | 193.5 |
| -5020 | " | 147.0 | 190.5 |
| -5017 | " | 146.2 | 189.0 |
| 5044-5044 | 54.7 | 156.0 | 211.6 |
| -5036 | " | 147.0 | 193.5 |
| -5028 | " | 145.4 | 190.5 |
| -5020 | " | 143.9 | 187.4 |
| -5017 | " | 143.1 | 185.8 |
| 5036-5036 | 45.7 | 128.9 | 175.5 |
| -5028 | " | 127.3 | 172.4 |
| -5020 | " | 125.8 | 169.3 |
| -5017 | " | 125.0 | 167.8 |
| 5028-5028 | 44.1 | 124.3 | 169.3 |
| -5020 | " | 122.7 | 166.3 |
| -5017 | " | 121.9 | 164.7 |
| 5020-5020 | 42.6 | 119.6 | 163.2 |
| -5017 | " | 118.2 | 161.6 |
| 5017-5017 | 41.8 | 117.3 | 160.0 |

ALL DIMENSIONS ARE IN MM UNLESS SPECIFIED