

# GROUP OP- P3000 SERIES

## PERFORMANCE DATA

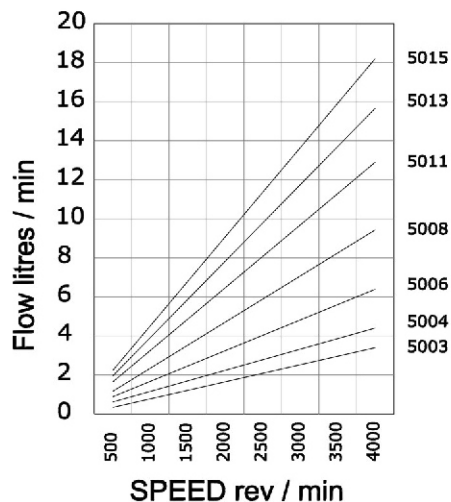
Pressure quoted are relief valve maximum by- pass performance with SAE 20 W oil at 50° C

PUMP TYPE	Nominal Displacement cc/rev	Nominal Delivery @ 1500 rpm & Pressure P lpm	Maximum Continues Pressure P		Speed at Maximim Continues Pressure P	
			psi	bar	Max	Min
5003	0.80	1.20	3000	207	4000	500
5004	1.20	1.80	3000	207	4000	500
5006	1.67	2.50	3000	207	4000	500
5008	2.27	3.40	3000	207	4000	500
5011	3.20	4.80	3000	207	4000	500
5013	3.87	5.80	3000	207	4000	500
5015	4.53	6.80	3000	207	4000	600

## TYPICAL PERFORMANCE

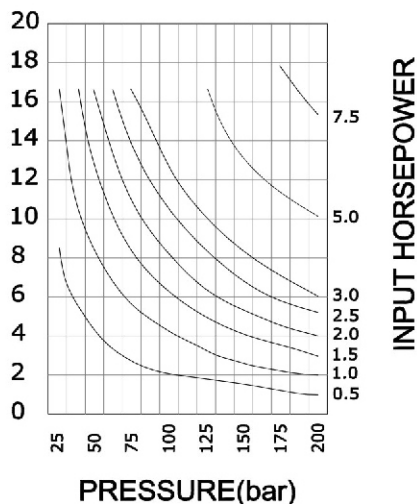
### TYPICAL PUMP DELIVERY

Flow at Max. Pressure.



### TYPICAL INPUT HORSEPOWER

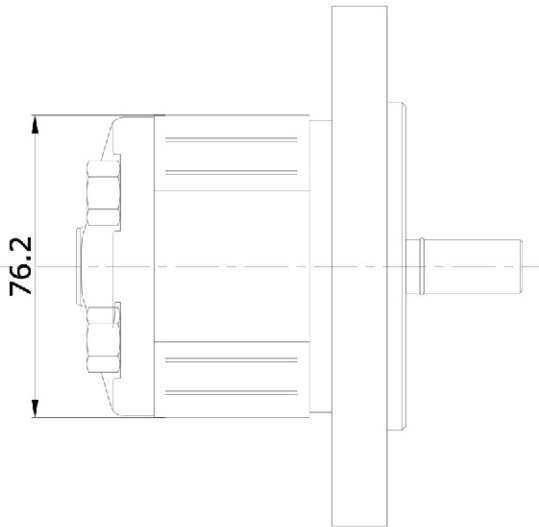
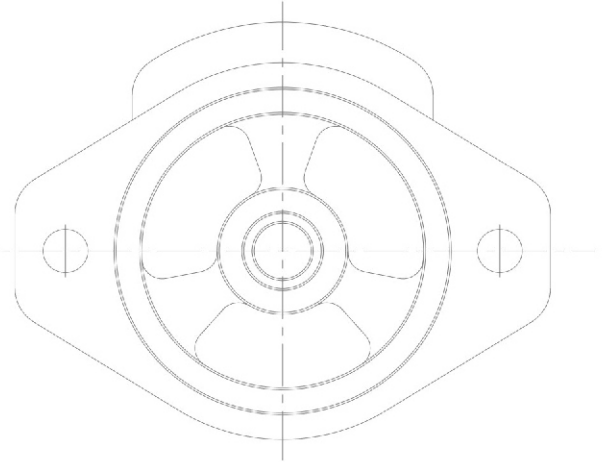
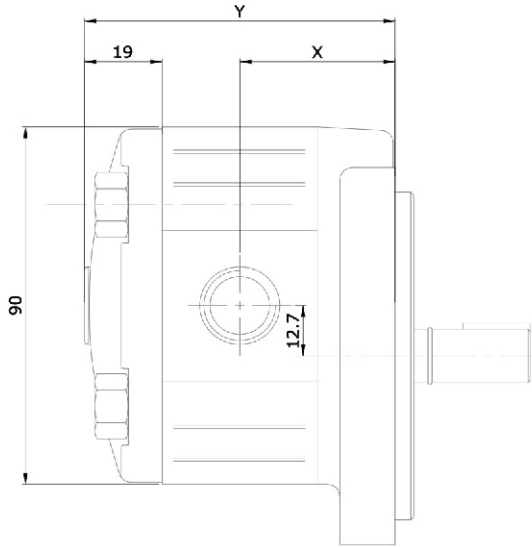
Fluide SAE 20 W  
Fluide Temperature 50° C





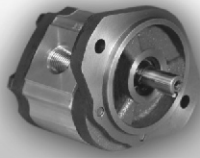
# OP SERIES

# INSTALLATION DIMENSIONS



OP-5015	42.2	84.5
OP-5013	41.5	83.1
OP-5011	40.8	81.7
OP-5008	39.9	79.7
OP-5006	39.1	78.2
OP-5004	38.6	77.1
OP-5003	38.1	76.3
PUMP TYPE.	DIM-X	DIM-Y

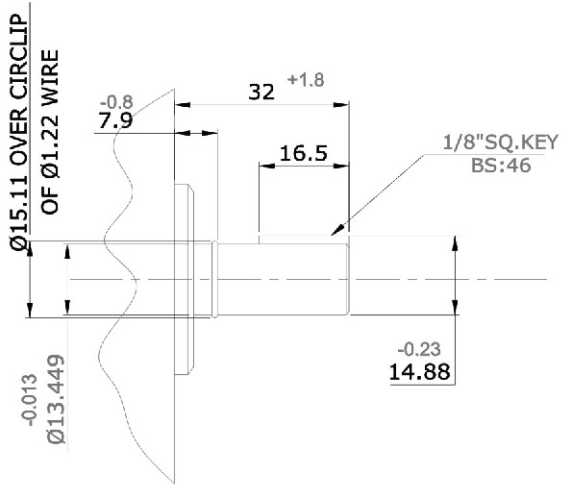
ALL DIMENSIONS ARE IN MM UNLESS SPECIFIED



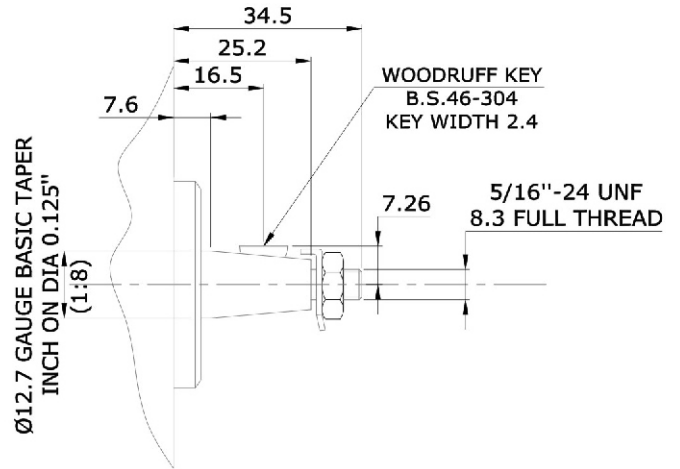
# OP SERIES

## DRIVE SHAFT

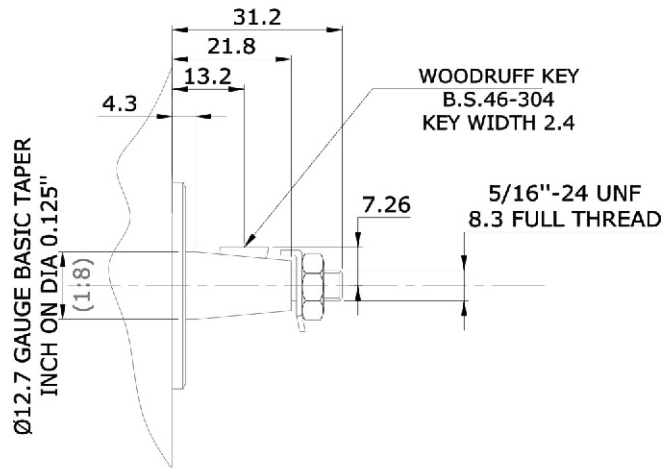
SHAFT CODE -P



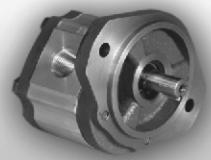
SHAFT CODE - T  
FOR FLANGE CODE - D



SHAFT CODE - T  
FOR FLANGE CODE - S



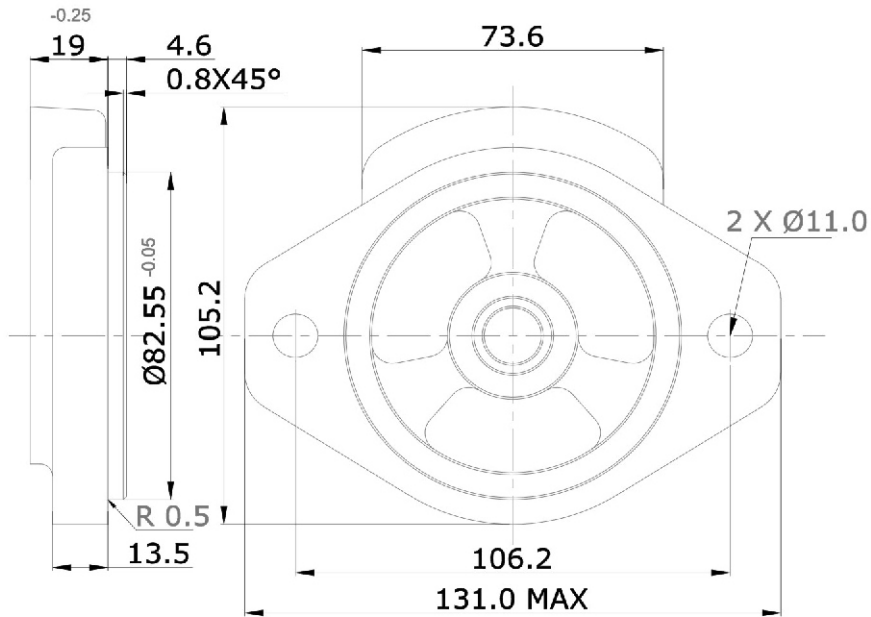
ALL DIMENSIONS ARE IN MM UNLESS SPECIFIED



# OP SERIES

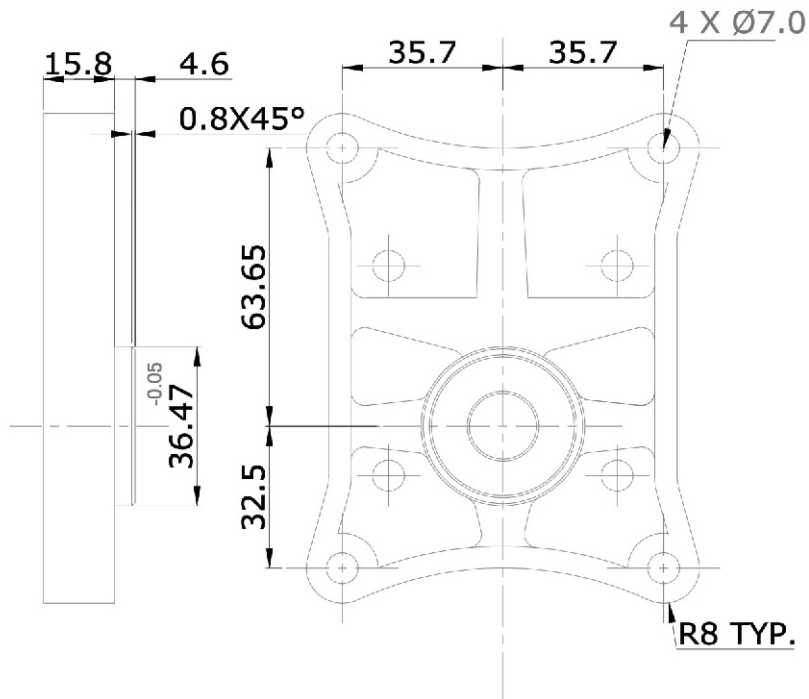
## MOUNTING FLANGE

CODE -S

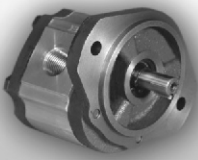


## MOUNTING FLANGE

CODE -D



ALL DIMENSIONS ARE IN MM UNLESS SPECIFIED

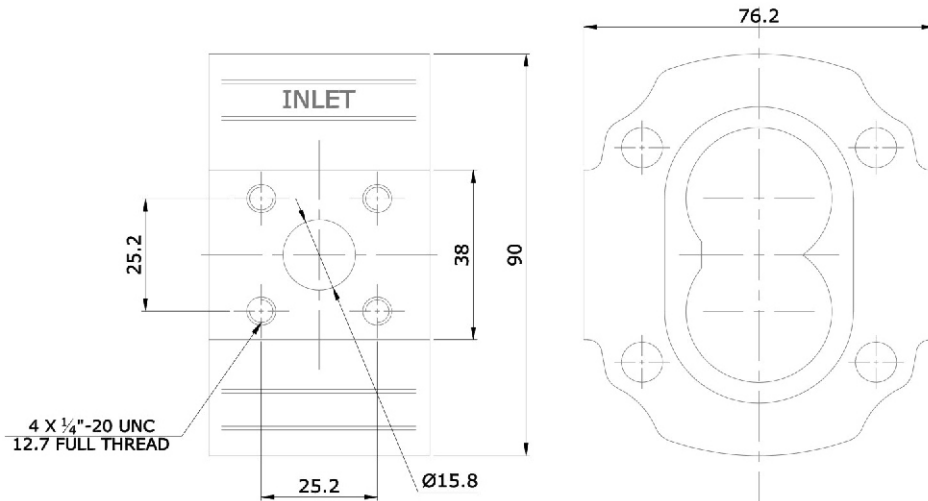


Gear Pumps & Valves

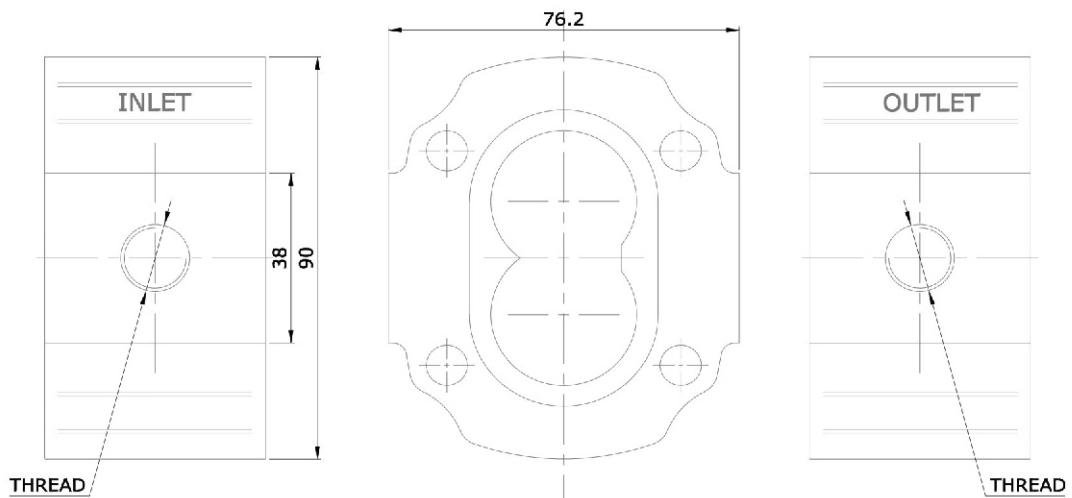
# OP SERIES

## BODY

CODE - F



CODE - T



### INLET & OUTLET PORTS

3/8"-B.S.P FOR PUMP TYPES OP 5003 TO 5011

1/2"-B.S.P FOR PUMP TYPES OP 5013 TO 5015

ALL DIMENSIONS ARE IN MM UNLESS SPECIFIED





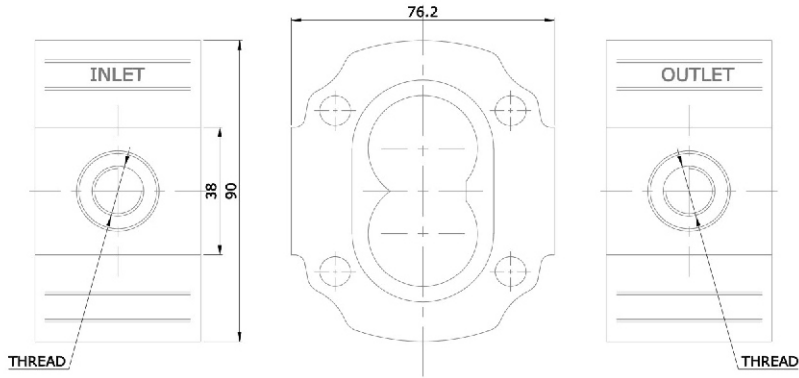
Gear Pumps & Valves



# OP SERIES

## BODY PORT

CODE - J



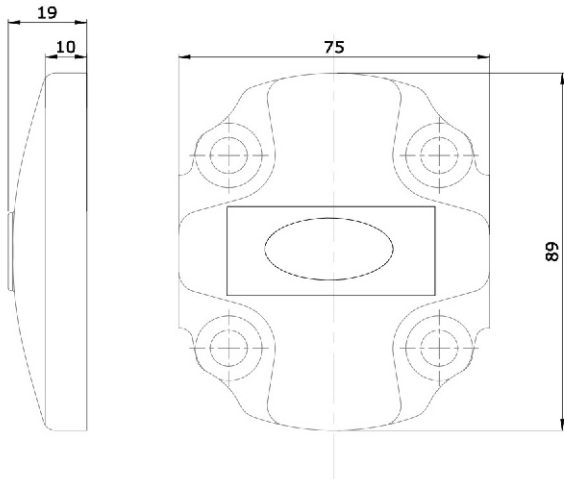
### INLET & OUTLET PORTS

7/8"-14 UN FOR PUMP TYPES 5015 INLET OUTLET 3/4"-16

3/4"-16 UN FOR PUMP TYPES OP 5003 TO 5013

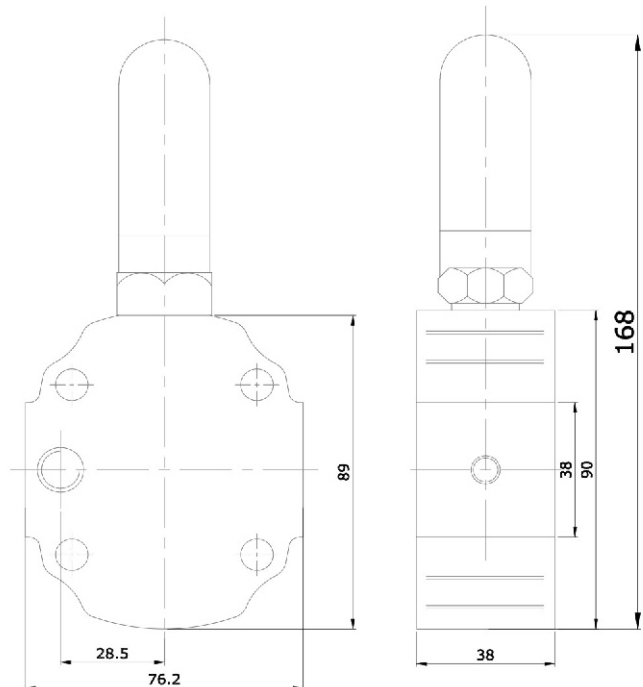
## END COVER

CODE - B

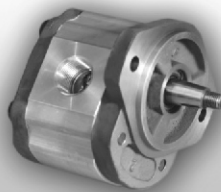


CODE - R

RELIEF VALVE SUITABLE FOR GROUP OP MOUNTED IN PLACE OF END COVER



ALL DIMENSIONS ARE IN MM UNLESS SPECIFIED



**Gear Pumps & Valves**

## GROUP 1P-P3000 SERIES

### PERFORMANCE DATA

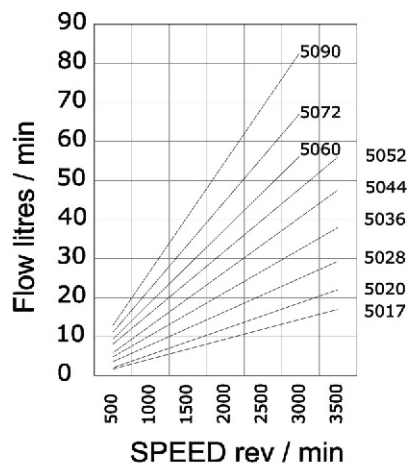
Pressure quoted are relief valve maximum by- pass performance with SAE 20 W oil at 50° C

PUMP TYPE	Nominal Displacement cc/rev	Nominal Delivery @ 1500 rpm & Pressure P lpm	Maximum Continues Pressure P		Speed at Maximim Continues Pressure P	
			psi	bar	Max	Min
5017	5.13	7.70	3000	207	3500	500
5020	6.07	9.10	3000	207	3500	500
5028	8.47	12.70	3000	207	3500	500
5036	10.93	16.40	3000	207	3500	600
5044	13.33	20.00	3000	207	3500	500
5052	15.73	23.60	3000	207	3500	600
5060	18.20	27.30	3000	207	3500	650
5072	21.80	32.70	2525	174	3000	650
5090	27.27	40.90	2000	138	2400	650

### TYPICAL PERFORMANCE

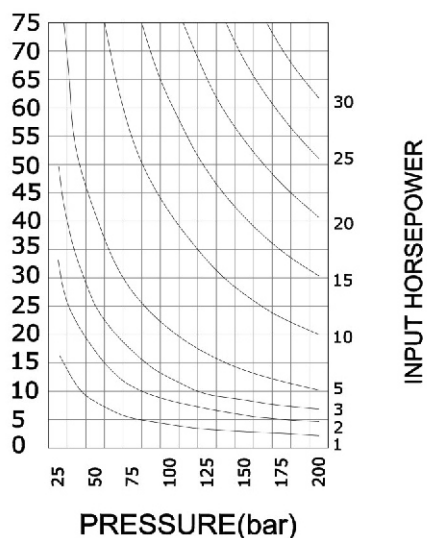
#### TYPICAL PUMP DELIVERY

Flow at Max. Pressure.



#### TYPICAL INPUT HORSEPOWER

Fluide SAE 20 W  
Fluide Temperature 50° C



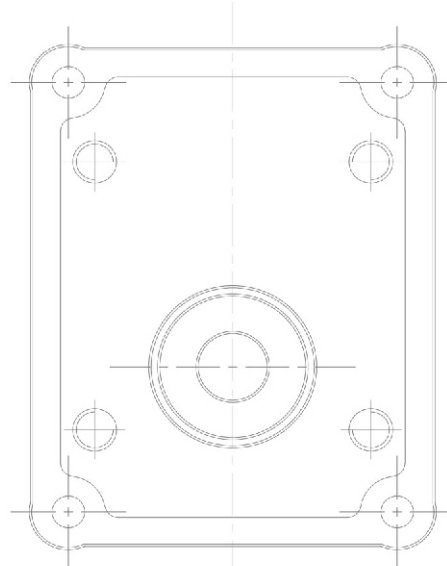
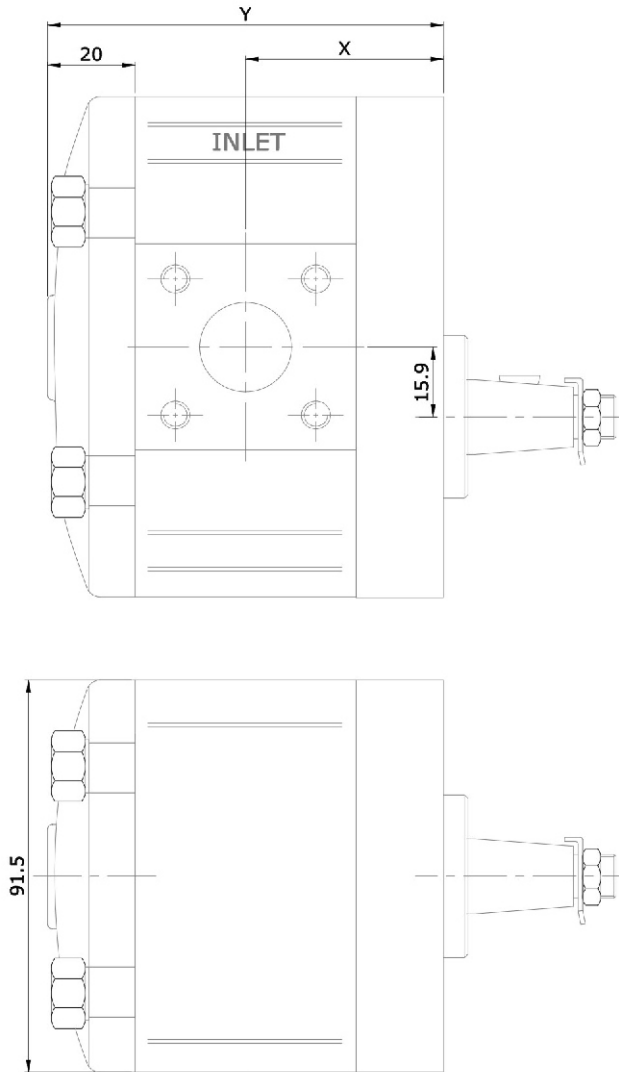


Gear Pumps & Valves



# GROUP 1P

# INSTALLATION DIMENSION



1P-5090	63.3	127.7
1P-5072	60.0	121.0
1P-5060	57.7	116.4
1P-5052	56.2	113.3
1P-5044	54.6	110.3
1P-5036	45.6	92.2
1P-5028	44.1	89.1
1P-5020	42.5	86.1
1P-5017	41.8	84.5
PUMP TYPE.	DIM-X	DIM-Y

ALL DIMENSIONS ARE IN MM UNLESS SPECIFIED